



## Colt Ellisse

*Sliding and Rotating Shutter System*





# Colt Ellisse - The Benefits of External Solar Shading

*Excessive solar heat gain and solar glare can be costly and undesirable for building owners. Productivity is reduced and the costs of keeping a building cool through artificial means such as air conditioning can increase.*

*The benefits of solar shading systems are increasingly being regulated. The UK's Building Regulations Approved Document L2 requires designers to reduce heat gain, with solar shading recommended as a preventative measure unless glass areas are minimised.*

*Colt external solar shading systems deal with these issues, offering designers the opportunity for distinctive architectural impact, whilst reducing solar heat gains.*

## COLT ELLISSE

Ellisse is a louvred hinged or slideable solar shading panel system that offers architects and contractors a versatile and practical solution to managing solar radiation and aiding privacy, whilst adding a modern architectural aesthetic.

It consists of panels built into frames which can:

- Slide
- Hinge vertically
- Hinge horizontally
- Or stay static

Applications:

- Solar shading
- Glare control
- Privacy control
- Ventilation

As such Ellisse is an extremely versatile system.

Since the appearance of any façade is determined by the choice and position of materials, there is an opportunity to use Ellisse creatively to enhance the architectural impact of a building.

## FEATURES AND BENEFITS OF ELLISSE

- Provides a good level of daylight levels
- Reduces solar heat gain and glare
- Permits ventilation
- Reduces the cooling load and therefore operating costs
- High design flexibility
- Is simple to install.









# Colt Ellisse

## GENERIC TYPES

Ellisse can:

- Slide
- Hinge vertically
- Hinge horizontally
- Or stay static

## DIMENSIONS

Maximum 1350 mm wide x 3160 mm high for panels with wooden louvres.

Maximum 1350 mm wide x 3232 mm high for panels with aluminium louvres.

Other louvre types need an individual calculation.

## LOUVRE TYPES

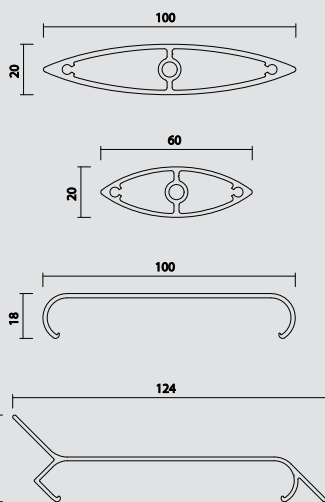
A wide range of louvre types are available, depending on the building's functional needs and the aesthetic requirements of the architect:

- Aluminium louvres are manufactured from extruded, corrosion-resistant aluminium profiles made of AlMgSi0.5 alloy either with an elliptical or a C-shape.
- Wooden louvres are manufactured from Western red cedar and can be either elliptical or oblong in shape.
- Louvres are available in glass, with the potential to incorporate photovoltaic (PV) electricity generating cells.
- Louvres are also available with perforated fabricated metal sheets.

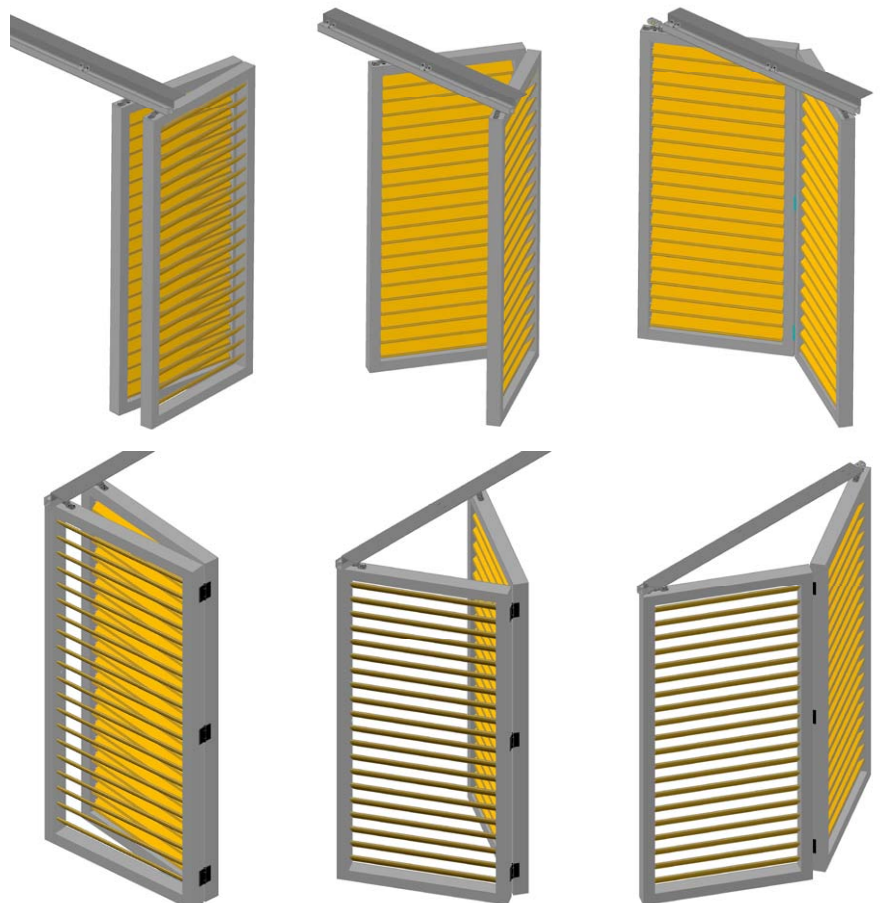
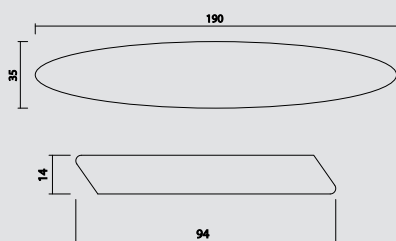
## CONTROLS

The panels can be moved either manually or by electric controls. The controls mechanisms are integrated into the mullions.

### TYPES OF ALUMINIUM LOUVRES



### TYPES OF WOODEN LOUVRES

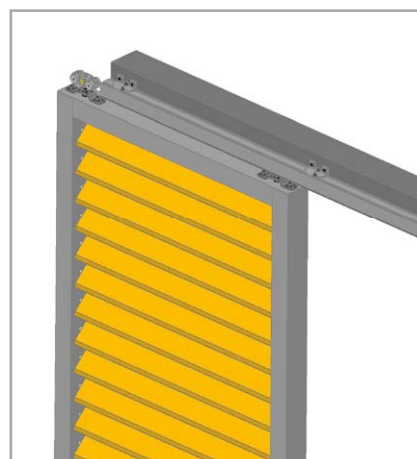
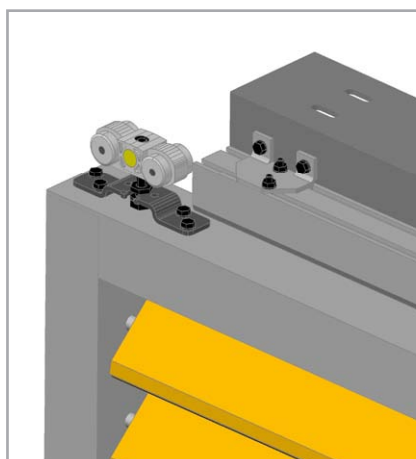


# Colt Ellisse - Sliding Panels

## COLT ELLISSE SLIDING PANELS

Ellisse sliding panel systems contain louvres which can either rotate or stay fixed. The louvres inside the frames are able to be turned to a maximum of 85° by hand.

The frames can be given a 75µ polyester powder coating in a standard RAL colour. These frames are suspended from an upper profile track.





# Colt Ellisse - Horizontal Folding Panels





# Colt Ellisse - Vertical Folding Panels



## **Special version: Colt Eco-Ellis**

The Colt Eco-Ellis option includes louvre blades made of Western red cedar. This wood is virtually maintenance free. It fits in with current trends in ecological buildings and provides an attractive appearance.

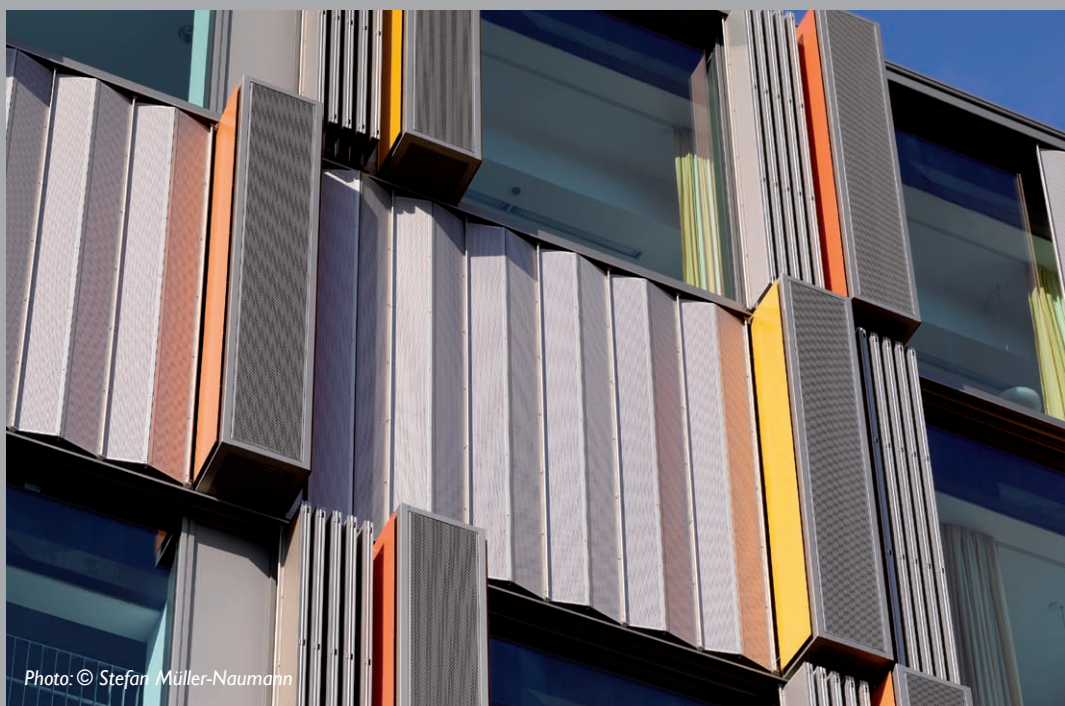


Photo: © Stefan Müller-Naumann

## SPECIFICATION

### Description:

Sliding shutter system designed to reduce solar heat gain and glare

### System types

- Sliding
- Folding horizontally
- Folding vertically

### Louvre movement

- Movable louvres
- Fixed louvres

### Louvre types

- Aluminium - elliptical
- Aluminium – C shape
- Wood (Western red cedar) – elliptical
- Wood (Western red cedar) – oblong Glass
- Perforated fabricated metal sheets

### Dimensions/ size range

Maximum 1350 mm wide x 3160 mm

high for panels with wooden louvres

Maximum 1350 mm wide x 3232 mm

high for panels with aluminium louvres

Other louvre types need an individual calculation

The above dimensions are based on a wind load of max. 1.6 kN/m<sup>2</sup> and max. total deflection of L/100. All units are to be subject to wind load calculation.

### Colours/ finishes options

- Mill finish
- Polyester powder paint to a RAL colour, standard 75 mu
- Anodised

## COMMISSIONING

Proper commissioning of movable Solar Shading Systems by experts is essential. We recommend that our specialist staff commission and certify the system.

## COLT SERVICE

Part of the Colt Group of companies, Colt Service offers a comprehensive range of maintenance packages incorporating the maintenance and repair of all building services equipment including non Colt products.

Colt Service provide a 24 hour, 365 day emergency cover as standard.

## MAINTENANCE & TESTING

Colt solar shading systems require virtually no maintenance.

All components of any moveable system should be serviced at least once a year and tested monthly.

## COLT INTERNATIONAL FORMS PART OF THE COLT INTERNATIONAL GROUP OF COMPANIES

Colt International is a Colt Group Company, one of Europe's leading independent providers of building services. Founded in 1931, Colt has been providing healthy, comfortable and safe working conditions in industrial and commercial buildings for more than 80 years.

Colt systems harness the natural elements of the sun, wind and light to create energy efficient and healthy buildings, contributing to the creation of a sustainable built environment.

Colt offers a range of products and services across a wide spectrum of specialties including climate control, ventilation, solar shading and smoke control systems. This puts Colt in the unique position of offering architects and building designers an integrated approach to create the ideal internal climate. In addition, Colt's solar shading and glazing systems provide the architect with exciting opportunities to create stunning architectural features for their designs.

